

<http://oilpacker.com>

E-line setting bridge plug

Bridge plugs of E-line installation



PURPOSE

Drillable (composite alloy) and permanent bridge plugs for reliable separation of required intervals.

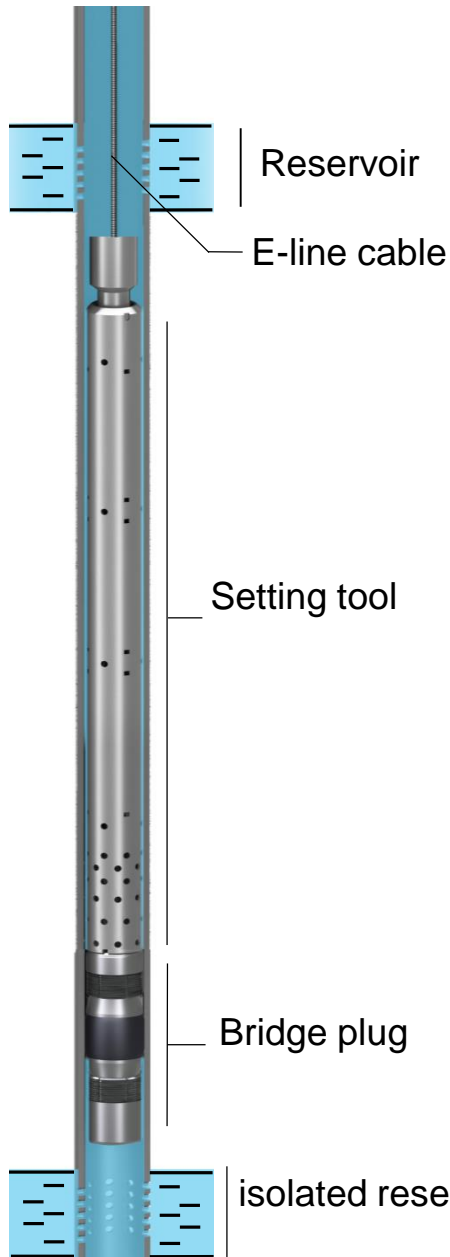
ADVANTAGES

E-line installation using E-line setting tool. Available diameters from 3.5" casing and above.

Rigless application

Range: 35 to 100 MPa.

Bridge plugs of E-line installation



DBP	Casing OD, mm	Casing wall thickness, mm	Pressure differential, MPa	Temperature rating, C	ID, mm	Length, mm	Setting tool	Weight, kg
DBP-70-35	89	6.5	35	100*	70	540	PST-62/4	4
DBP-80-35	102	5.5-7			80	550	PST-80/1	5
DBP-90-35	114	6.4-9			90	550	PST-80/1	6
DBP-98-35	127	8-10.7			98	550	PST-80/1	8
DBP-105-35	127	5.6-7.5			105	550	PST-80/1	9
DBP-112-35	140	8-11			112	550	PST-112/1	11
DBP-118-35	140	6-8			118	550	PST-112/1	13
	146	7.7-11						
DBP-120-35	140	6-7			120	550	PST-112/1	14
	146	6.5-9.5						
DBP-136-35	168	10.6-12.1			136	570	PST-112/1	24
DBP-140-35	168	8-11			140	570	PST-112/1	25
	178	12.7-15						
DBP-144-35	168	6.5-9			144	570	PST-112/1	28
	178	10.4-13.7						
DBP-151-35	178	5.9-10.4			151	600	PST-112/4	32
	194	15.1						
DBP-161-35	194	10-12.7	161	600	PST-112/4	39		
DBP-168-35	194	7-9.5	168	600	PST-112/4	43		
DBP-182-35	219	10-14.2	182	600	PST-112/7	47		
DBP-186-35	219	7-12.7	186	600	PST-112/7	51		
DBP-204-35	245	7.9-13.8	204	700	PST-112/7	55		